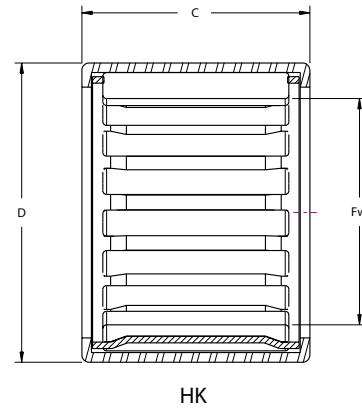
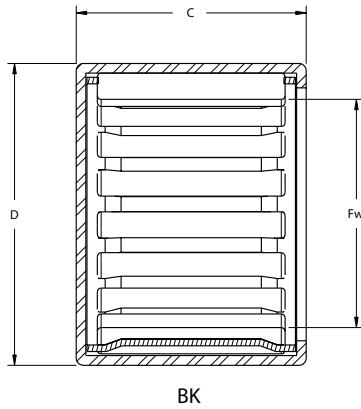


HK/BK series



Bearing Number		Dimensions (mm)			Load Rating (lbf)		Limiting Speed (RPM)	Weight (lbs)
					Dynamic	Static		
open end	close end	Fw	D	C	Cr	Cor		
HK-0408	BK-0408	4	8	8	400	295	41000	0.004
HK-0509	BK-0509	5	9	9	540	445	38000	0.004
HK-0608		6	10	8	455	370	35000	0.005
HK-0609	BK-0609			9	640	590		0.006
HK-0709	BK-0709	7	11	9	700	660	31000	0.006
HK-0808	BK-0808	8	12	7	620	590	28000	0.006
HK-0810	BK-0810			10	850	890		0.007
HK-0908		9	13	8	870	930	25000	0.007
HK-0910	BK-0910			10	960	1050		0.009
HK-0912	BK-0912			12	1190	1420		0.010
HK-1010	BK-1010	10	14	10	990	1150	23000	0.009
HK-1012	BK-1012			12	1240	1530		0.011
HK-1015	BK-1015			15	1530	1980		0.013
HK-1210	BK-1210	12	16	10	1110	1390	20000	0.010
HK-1212	BK-1212			12	1460	1640		0.020
HK-1312	BK-1312	13	19	12	1530	1780	18000	0.022
HK-1412	BK-1412	14	20	12	1600	1910	16000	0.023
HK-1512	BK-1512	15	21	12	1780	2110	16000	0.024
HK-1516	BK-1516			16	2360	3250		0.033
HK-1522				22	3000	4400		0.044
HK-1612	BK-1612	16	22	12	1710	2180	15000	0.026
HK-1616	BK-1616			16	2450	3450		0.035
HK-1622				22	2950	4350		0.049
HK-1712		17	23	12	1780	2320	14000	0.026
HK-1812	BK-1812	18	24	12	1820	2450	13000	0.029
HK-1816	BK-1816			16	2600	3900		0.040
HK-2010		20	26	10	1440	1840	12000	0.026
HK-2012				12	1930	2700		0.031
HK-2016	BK-2016			16	2850	4500		0.042
HK-2020	BK-2020			20	3550	5800		0.053
HK-2030				30	4900	9000		0.077

HK/BK series

Bearing Number		Dimensions (mm)			Load Rating (lbf)		Limiting Speed (RPM)	Weight (lbs)
					Dynamic	Static		
open end	close end	Fw	D	C	Cr	Cor		
HK-2210		22	28	10	1690	2360	11000	0.029
HK-2212	BK-2212			12	2050	3000		0.033
HK-2216	BK-2216			16	3000	4950		0.046
HK-2220				20	3700	6500		0.057
HK-2512		25	32	12	2470	3400	10000	0.044
HK-2516	BK-2516			16	3500	5400		0.060
HK-2520	BK-2520			20	4450	7400		0.073
HK-2526	BK-2526			26	5700	10100		0.097
HK-2538	BK-2538			38	7600	14800		0.141
HK-2816		28	35	16	3700	6000	9000	0.064
HK-2820				20	4700	8100		0.079
HK-3012	BK-3012	30	37	12	2700	4100	8500	0.051
HK-3016	BK-3016			16	3850	6500		0.068
HK-3020	BK-3020			20	4950	8900		0.086
HK-3026	BK-3026			26	6300	12100		0.112
HK-3038	BK-3038			38	8400	17800		0.168
HK-3512		35	42	12	2950	4800	7500	0.060
HK-3516				16	4200	7500		0.079
HK-3520				20	5400	10300		0.097
HK-4012		40	47	12	3150	5500	6500	0.066
HK-4016				16	4500	8700		0.086
HK-4020	BK-4020			20	5700	11700		0.119
HK-4512		45	52	12	3350	6200	6000	0.073
HK-4516				16	4800	9700		0.101
HK-4520	BK-4520			20	6100	13300		0.123
HK-5020		50	58	20	7000	14200	5000	0.154
HK-5025				25	8700	18900		0.198
HK-5520		55	63	20	7100	15100	4700	0.163
HK-5528				28	9900	23200		0.232
HK-6012		60	68	12	3900	7200	4400	0.108
HK-6020				20	7500	16900		0.179
HK-6032				32	11900	30500		0.300